

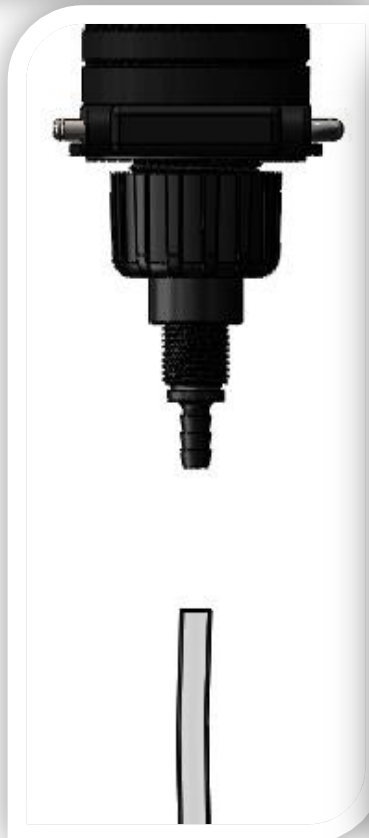
SuperDos 20 Quick Start Guide

0.05 - 20 gpm 5 – 100 psi*

11 - 4500 l/h 0,4 – 6,9 bar*

***5% (with remote injection) has maximum operating pressure of 60 psi (4 bar)**

***10% model has maximum operating pressure of 65 psi (4,5 bar)**



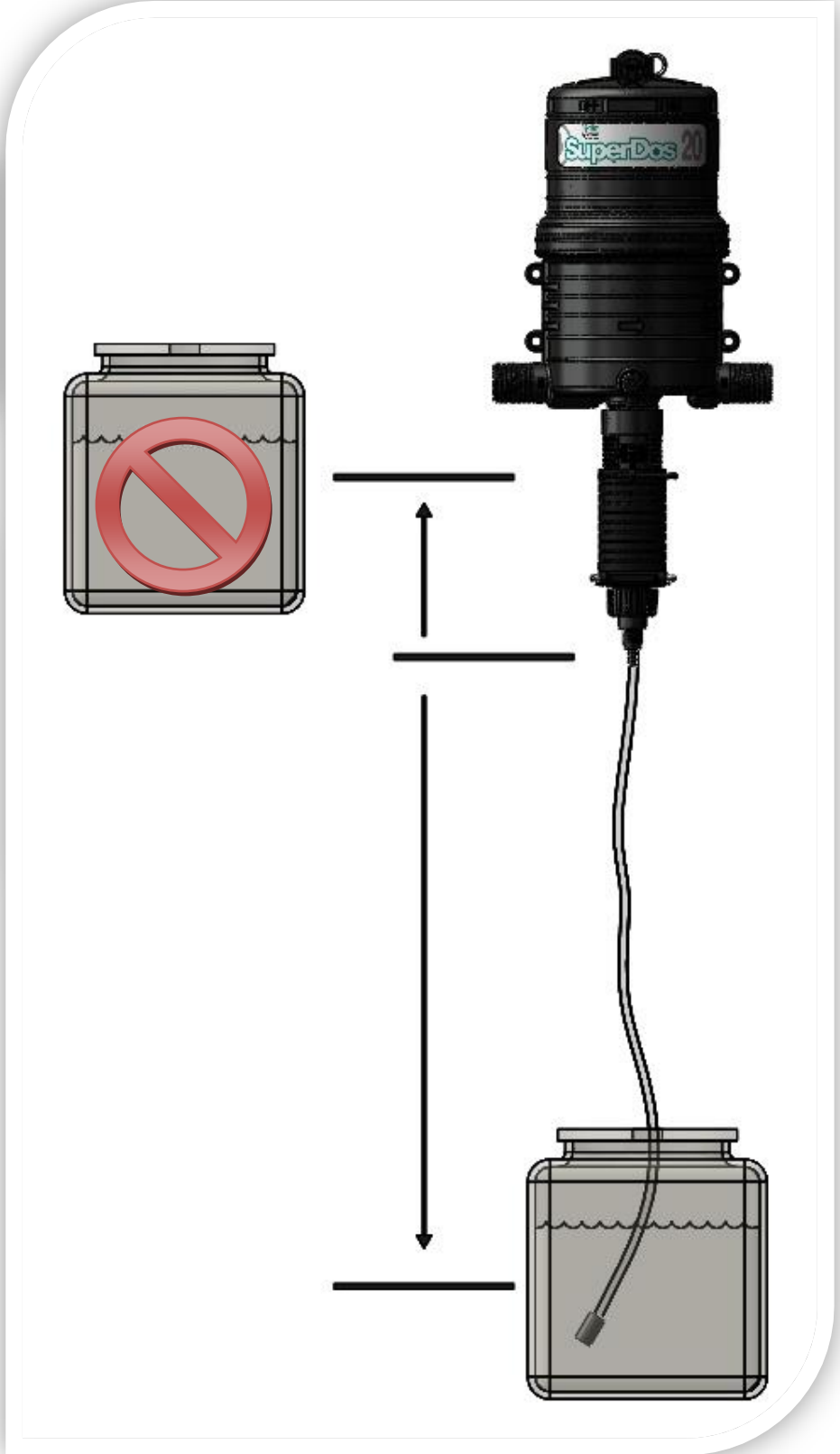
SuperDos 20 Quick Start Guide

0.05 - 20 gpm 5 – 100 psi*

11 - 4500 l/h 0,4 – 6,9 bar*

***5% (with remote injection) has maximum operating pressure of 60 psi (4 bar)**

***10% model has maximum operating pressure of 65 psi (4,5 bar)**



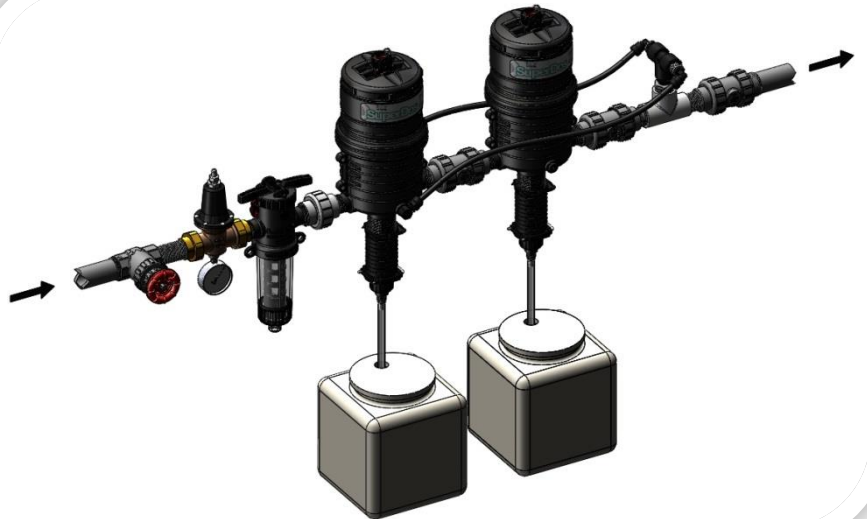
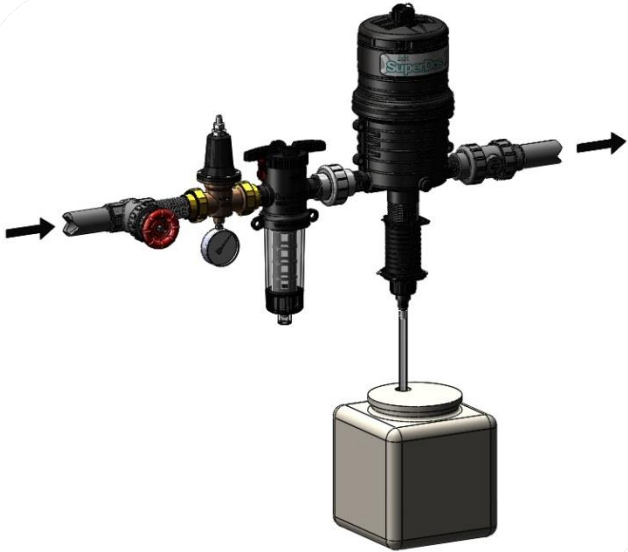
SuperDos 20 Quick Start Guide

0.05 - 20 gpm 5 – 100 psi*

11 - 4500 l/h 0,4 – 6,9 bar*

***5% (with remote injection) has maximum operating pressure of 60 psi (4 bar)**

***10% model has maximum operating pressure of 65 psi (4,5 bar)**



SuperDos 20 Quick Start Guide

0.05 - 20 gpm 5 – 100 psi*

11 - 4500 l/h 0,4 – 6,9 bar*

***5% (with remote injection) has maximum operating pressure of 60 psi (4 bar)**

***10% model has maximum operating pressure of 65 psi (4,5 bar)**

World Headquarters
Hydro Systems Company
3798 Round Bottom Road
Cincinnati
OH 45244
U.S.A.
T 513-271-8800
F 513-271-0160
www.hydro-systemsco.com

Hydro Systems Europe
Unit 3, The Sterling Centre
Eastern Road
Bracknell, Berkshire
RG12 2PW
England
T +44 (0)1344 488880
F +44 (0)1344 488879
www.hydro-systemseurope.com

Hydro Systems Europe
13bis avenue Descartes
C33370 Artigues-pres-
Bordeaux
France
T +33 557 97 13 13
F +33 577 97 10 19

Hydro Systems South
America
Rua Mogiana, 172
Chácaras Reunidas
São José Dos Campos
12238-420SP
Brasil
T +55 12 3201 7707
www.hydro-novabrasil.com

Hydro Systems Asia
Pacific
Unit A, 1 Kellham Place
Glendenning
NSW 2761
Australia
T +612 9625 8122
F +612 9625 8177

Hydro Systems Asia Pacific
Unit 01, 18th Floor,
Lujiazui Fund Tower,
1528 Century Avenue,
Pudong New Area,
Shanghai 200122 P.R. China
T +86 21 400-600-4026

Dover Southeast Asia
(Thailand) 762/2, A
Building,
Room A540, Rama 3
Road,
Bang Pong Pang,
Yannawa,
Bangkok 10120, Thailand
T +66 2 295 2788
F +66 2 295 2785