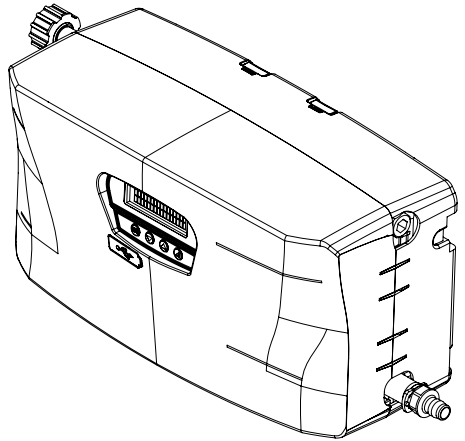
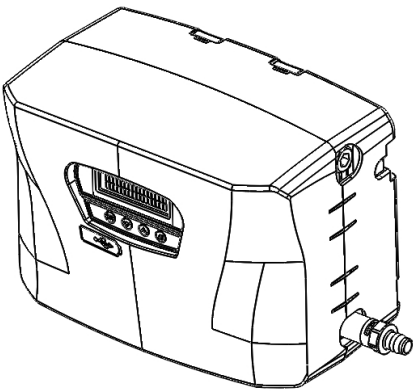


EvoClean

Installation and Operation Manual

Models 1221GB/1222GB/1223GB/1224GB/1225GB/1226GB/1227GB/
1228GB/1230GB/1231GB/1232GB/1233GB
Firmware versions V2.04 and up



Contents

	Page
1 Description.....	2
1.1 Intended Use	2
1.2 Models	2
2 Site Survey & Installation Requirements.....	2-3
3 Package Contents.....	3
4 Installation & Connection.....	4
4.1 Installation Step 1: Site Survey & Mounting Kit	5
4.2 Installation Step 2: Incoming Water Supply	6
4.3 Installation Step 3: Route Discharge Hose to Machine	7
4.4 Installation Step 4: Routing Pickup Tubes	7
4.5 Connection of the Dispenser to machine	8
4.6 Connection of the Dispenser to chemical	9
4.7 Remote select	9
5 Setup & Programming.....	11
5.1 Modes of Operation	12
5.2 Menu Structure	12
5.3 Unit Controls	13
5.4 Setup & Programming Step 1: Program controller	13
5.5 Setup & Programming Step 2: Assign chemicals	14
5.6 Setup & Programming Step 3: Priming	16
5.7 Setup & Programming Step 4: Calibration	17
5.8 Alarm function	18
5.9 Formula Editor	18
Menu Structure	19-22
6 Maintenance.....	23-24
7 Specifications.....	25
8 Troubleshooting.....	26-27
9 Unit Diagram.....	28
9.1 Replacement Parts	30
9.2 Accessory Parts	32
10 Decommissioning & Disposal.....	32
11 Safety.....	33-34
12 WEEE - Waste Electrical and Electronic Equipment.....	35-37

1. Description

The EvoClean is a low maintenance, venturi-based, water-powered laundry unit. It features an integrated control system that can either be supplied on-board the unit or off-board within a housing. The EvoClean can be used for applications requiring up to four, six or eight products and also offers an integrated flush manifold, 'out-of-product' alarm, optional remote formula select and downloadable reports.

This guide contains instructions for installing, programming, operating and troubleshooting the EvoClean. For further information and the option to download the PC formula editor please navigate to: <http://hydrosystemseurope.com/product/evoclean/>.

1.1. Intended Use

- The EvoClean is intended for use in industrial applications. It is not suitable for domestic use and it must not be used outside of its intended use.
- The product must only be used for washing and rinsing of laundry that are marked accordingly. The manufacturer waives any responsibility arisen from incorrect usage or transportation.

1.2. Models:

- **1221GB** – EvoClean, 6 Product Unit – Low Flow, RFS
- **1222GB** – EvoClean, 6 Product Unit – Low Flow, Off BC
- **1223GB** – EvoClean, 6 Product Unit – High Flow, Off BC
- **1224GB** – EvoClean, 6 Product Unit – High Flow
- **1225GB** – EvoClean, 4 Product Unit – Low Flow, Off BC
- **1226GB** – EvoClean, 4 Product Unit – High Flow, Off BC
- **1227GB** – EvoClean, 4 Product Unit – Low Flow
- **1228GB** – EvoClean, 4 Product Unit – High Flow
- **1230GB** – EvoClean, 8 Product Unit – Low Flow, Off BC
- **1231GB** – EvoClean, 8 Product Unit – High Flow, Off BC
- **1232GB** – EvoClean, 8 Product Unit – Low Flow
- **1233GB** – EvoClean, 8 Product Unit – High Flow

*other versions are available on request

2. Site Survey & Installation Requirements



CAUTION

Before an installation takes place it is advisable to complete a site survey to ensure the EvoClean can be installed in a position that meets all of the requirements listed below.

- 2.1. Unit is to be installed by a trained technician; all local and national electrical and water regulations are to be observed.
- 2.2. Unit must not be installed near areas that suffer excess temperature changes, direct sunlight, frost or moisture of any kind.
- 2.3. Area must be free of high levels of electrical noise.
- 2.4. Ensure the unit can be mounted in an accessible position above the height of the required discharge location.
- 2.5. Unit must be mounted on a suitable wall, that is flat and perpendicular to the floor.
- 2.6. The unit location should be well lit for any maintenance and free of high levels of dust / air particulates.
- 2.7. Scheduled maintenance should be carried out on the dispenser at least once per year.
- 2.8. It is a legal requirement if the EvoClean is supplied from the water mains, that a backflow device offering protection equal or higher than the products being dispensed to prevent back siphoning of non-potable water into the water mains. If used, hose sets used to connect the EvoClean to the mains water supply must also be compliant with IEC 61770.

3. Package Contents

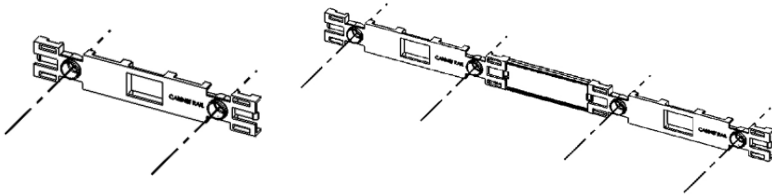
- **EvoClean Unit**
- **Accessory Kit :**
 - Wall Mount Brackets
 - Clips
 - Screws
 - Wall Plugs
- **Chemical Pickup tube and Install Kit***
- **Remote Formula Select***
- **Calibration Cylinder***
- **Backflow Device***

*Do not come as standard, Optional extra

4. Installation & Connection

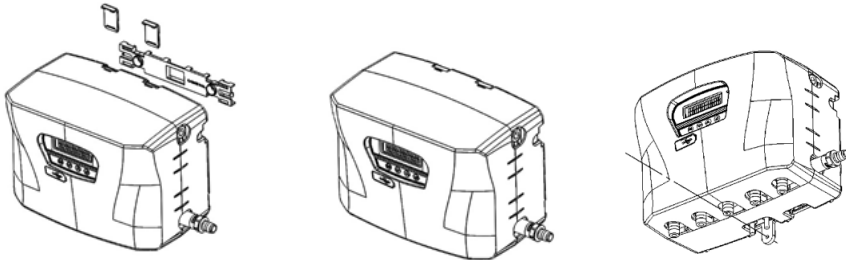
4.1. Installation Step 1: Site Survey & Mounting Kit

- 4.1.1. Choose a location near to the laundry machine. Use the mounting bracket to mark the appropriate locations for the mounting hardware. Use the mounting bracket as a hole template to mark the securing holes.

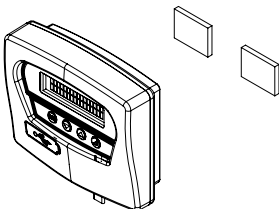


Mounting bracket: 4 product unit (Left), or 6/8 product unit including joints (Right)

- 4.1.2. Wall anchors are provided, please ensure they are appropriate to the wall/surface being mounted to.
- 4.1.3. Mount the dispenser onto the mounting bracket. Push down the clips to secure the unit.



- 4.1.4. Secure the dispenser at the bottom, with the remaining screw provided.
- 4.1.5. If the unit is configured with the off-board controller, this can be mounted using the hook and loop tape supplied



NOTE: Please secure any cables so as not to create a hazard for the operator

4.2. Installation Step 2: Incoming Water Supply

- 4.2.1. Connect incoming water supply to EvoClean using fittings provided. This will either be a 3/4" Female BSP swivel, or 15mm push-fit. Ensure the incoming water supply hose is supported so as not to create unnecessary force on the inlet.
- 4.2.2. It is a legal requirement, if the unit is supplied from the water mains, that a backflow device is installed offering protection equal or higher than the chemical class being used. This is to prevent back siphoning of non-potable substances into the water mains.

Please note: It is possible to have the water inlet on either side of the dispenser but the outlet will always need to be on the right.

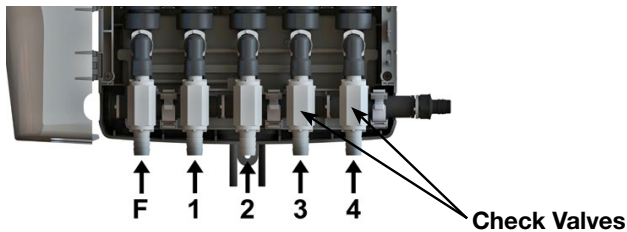


- 4.2.3. Hose sets used to connect the EvoClean to the mains water supply must also be compliant with IEC 61770.

4.3. Installation Step 3: Route Discharge Hose to Machine

- 4.3.1. Connect outlet (see above) to the washing machine using 12.7mm (1/2") or 13mm ID Flexible braided PVC Hose.
- 4.3.2. Secure PVC hose to barb with cable tie.

4.4. Installation Step 4: Routing Pickup Tubes



Note: - The check valves are supplied detached in a bag with the unit. To prevent damage, do not install hoses to the check valve while connected to the manifold.

4.4.1. Eductors run from left to right in the following order:

In 4 Product units (Single cabinet)

- F (Flush) 1, 2, 3, 4

In 6 product units (Single cabinet)

- F (Flush) 1, 2, 3, 4, 5, 6

In 8 Product units (Twin cabinet)

- F (Flush) 1, 2, 3, 4, 5, 6, 7, 8

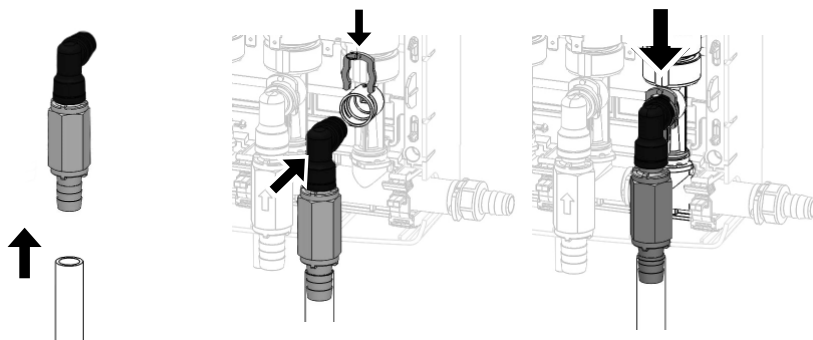
Note: - Flush - Do not connect any tube to this position

4.4.2. Measure the distance from the Eductor to the base of the chemical container.

4.4.3. Cut the 12.7mm ($\frac{1}{2}$ ") or 13mm ID Flexible PVC Hose tube to length.

Note: - Alternative hose options are available. Contact Hydro Systems for further information.

4.4.4. Push the PVC hose on to the detached check valve and secure with cable tie, then push the elbow into the eductor and secure with the white clip, as shown in the diagram on the next page.



4.4.5. Take chemical container lid and drill 20mm ($\frac{3}{4}$ ") hole for PVC Hose to pass through, ensure tube is not a tight fit (to avoid vacuum).

Note: - Do not drill lid when screwed onto chemical container to avoid swarf

4.4.6. Replace lid on container, and place the inlet tube into the container.

4.5. Installation Step 5: Trigger Connections

4.5.1. The EvoClean uses the following trigger signal inputs.



10-way harness (4, 6 and 8 product units)

Trigger	Supply Signal (+)	Signal Common (-)	Connected in RELAY mode:	Connected in Normal mode:
Trigger 1	Black	Red	Solenoid 1	Pre-Wash
Trigger 2 Hot	Green	Orange	Solenoid 2	Main-Wash
Trigger 2 Cold	White	Orange	Solenoid 2	Main-wash
Trigger 3 Spare	Blue	Brown	Solenoid 3	Main-wash
Trigger 4	Yellow	Purple	Solenoid 4	Final Rinse
Trigger 5	Grey	Purple	Solenoid 5	AFS mode

3-way harness (6 and 8 product units only)

Trigger	Supply Signal (+)	Signal Common (-)	Connected in RELAY mode:	Connected in Normal mode:
Trigger 6	Black	Purple	Solenoid 6	-
Trigger 7	Red	Purple	Solenoid 7	-
Trigger 8	White	Purple	Solenoid 8	-

- 4.5.2.** All signal inputs are optically isolated high impedance input circuits. Supply signal voltages may range from 24-240 VAC, 50-60 Hz (20 mA maximum draw) or 12-24 VDC, (5 mA maximum draw) that accommodate the range typically found in most washing machines. Each signal input connects to a signal input wire and the common. With DC signals, polarity must be observed. The signals should be positive voltages (+). The Common is negative (-).
- 4.5.3.** Use appropriate terminal connectors to connect the signal wires to the laundry machine.
- 4.5.4** If one or more trigger wires are not used, they do not need to be connected but should be suitably isolated and secured.

4.6. Installation Step 6: Power

- 4.6.1.** Connect black power cable to power supply, ensuring correct polarity is followed; Brown is live and Blue is neutral.
- 4.6.2.** It is a legal requirement to allow disconnection of the appliance from the supply after installation. The disconnection may be achieved by having the plug accessible or by incorporating a switch in the fixed wiring in accordance with the wiring rules.



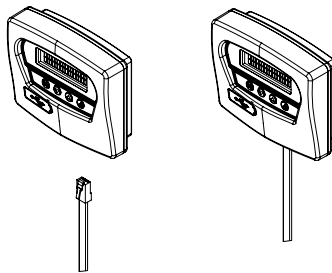
4.7. Installation Step 7: Remote Select (optional)

- 4.7.1.** The remote select is typically located on the front of the laundry machine. This allows the machine operator to change the formula as required. Once the formula has been selected the wash program can then be started.
- 4.7.2.** If purchased with the EvoClean, the remote formula select is installed using the flat flexible white cable already connected to the EvoClean.
- 4.7.3.** There is a handy wall bracket that allows the remote select to be mounted and removed as necessary. The wall bracket can be installed using the double sided tape provided (front of machine) or using screws (wall), not supplied.



4.8. Installation Step 8: Off board controller (optional)

- 4.8.1. The off board controller is typically located on the front of the laundry machine. This allows the machine operator to change the formula as required. Once the formula has been selected the wash program can then be started. The additional benefit is that where the main unit may be difficult to access, all user/installer features (Inc. USB, reports...etc) are easily accessible from the front of the machine.
- 4.8.2. If purchased with the EvoClean, the off board controller is installed using the flat flexible grey cable already connected to the EvoClean.
- 4.8.3. The off board controller is then installed using industrial quality hook and loop tape to the front of machine.



CAUTION



Wires left hanging loose may be a tripping hazard. Ensure all cables are secure. Be sure the tubing will be out of the way of walkways and will not impede motion required in the area. Creating a low place in the run of tubing will minimize drainage from the tubing.

5. Setup & Programming

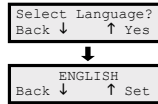
5.1. Modes of Operation

On 1st power up the unit will prompt the installer to input the date and time. For subsequent power up's this screen will not be shown.

The date & time is formatted as:

YYYY-MM-DD HH:MM
2016-10-19 11:45

Once set the unit will then prompt the installer to set one of the five European languages (English, French, German, Italian and Spanish) preprogrammed into the EvoClean.



5.1.1. Normal mode allows the installer to select any of the solenoids to operate once a validated trigger signal is received (as details in 4.5.1). Depending upon which input the signal is received will determine which amount is used. For example a signal on trigger 1 will inject the 'prewash' amount for any chemical selected to run. This allows for different volumes of chemical to be injected at different points in the cycle. Once all the chemicals have been injected the flush solenoid will open for the time set so that no chemical is left in the delivery hose.

Normal Mode allows the user to easily select a formula from a list of formulas by navigating to it using the up/down arrows. Once the formula is shown the washer extractor can then be started and the particular formula is run. Each formula has the option of being named (up to 10 characters).

5.1.2. In Relay mode the trigger signals (as detailed in 4.5.1) are directly linked to the operation of a particular solenoid (chemical). Once a signal is received the solenoid will operate for the length of time that the signal is present. When a signal is received the corresponding solenoid will operate, if during this time another signal is received then once the 1st solenoid closes the next one will run. If two signals are received at the same time, the lowest numbered solenoid will operate 1st followed by the next lowest, for the length of time the signal is/was present. The flush will operate after the solenoid closes for the length of time set or until another signal is received.

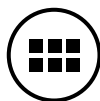
Go to Enter setup > Operational mode and select Relay Mode. The only other setup required is for the flush duration. This can be programmed by going to Enter setup > Edit Settings > Flush Settings where the flush duration can be set manually in seconds or by using the 'learn' feature where the flush is started/stopped by the push of a button.

5.2. Menu Structure

5.2.1. The EvoClean programming menu structure is laid out as shown at the end of this section. The following sub-sections detail individual programming procedures.

5.2.2. It is advisable to refer to the menu structure at the end of this section when navigating through screens, until you are familiar with the sequence.

5.3. Unit Controls



Menu



Down

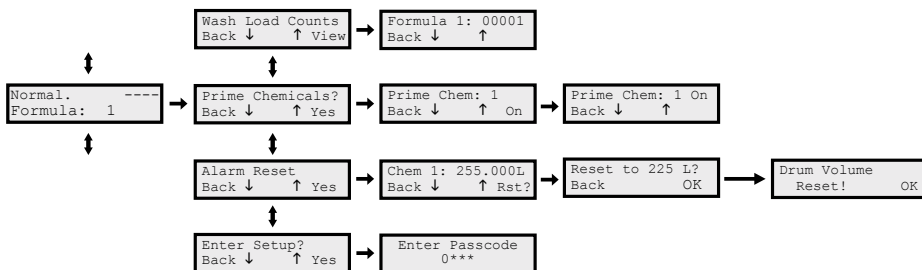


Up



Select

5.4. User Screens



5.4.1. In normal mode the unit will show the home screen detailing which formula has been selected. If the user has navigated to any other part of the menu then after 5 minutes the unit will revert back to the home screen. Once a particular formula has finished the unit will then revert back to Formula 1.

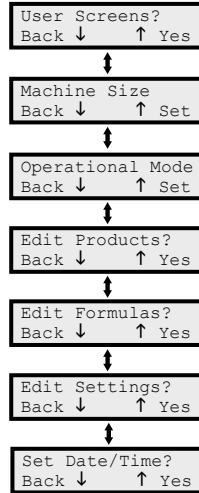
5.4.2. In relay mode the home screen will just say 'RELAY' and only show the functionality that has been enabled in the 'Edit settings' screen.

5.4.3. Again it is advisable to refer to the menu structure at the end of this section when navigating through menus, until you are familiar with them.

5.5. Setup & Programming Step 1: Program Controller

To begin setting up the EvoClean the installer needs to navigate to:
Enter setup > Enter passcode (Default = 1234) and the following screens will then be accessible.

The interface has been designed to allow easy and simple intuitive programming. It is recommended that the unit is setup in the following order.



5.5.1. User Screens

Under user screens, the installer has the functionality to prime the individual chemicals during setup and also view and reset the wash counts per formula.

5.5.2. Machine Size – This is set to the size of the washer extractor being installed. This can be set from 1 – 200kg. All chemical delivery settings refer to this figure when calculating the amount of chemical to be injected during a formula.

5.5.3. Operational Mode – As detailed in section 5.1. Any unused screens in either mode are hidden.

5.5.4. Edit Products – This is where the chemical specific settings are inputted. The chemicals are numbered from 1 upwards and each one includes the following settings:

- a) Prewash amount
- b) Main-wash amount
- c) Final rinse amount

*** The amounts are inputted in mls/kg and calculates the chemical to be injected in conjunction with the machine size. Special mls/kg amounts can be set within formulas to allow the user extra functionality***

d) Delay time - Although the chemical will be diluted with water anywhere from 2.5:1 up to 4:1 depending on the application, there may be situations where the installer requires a delay time to be added between when the trigger signal is received and the operation of the valve. This can be set from 1 to 99 seconds.

e) Chemical cost – This can be set from 0.01 to 9.99. Inputting a figure here will allow the unit to calculate the cost of chemical usage and output the results as a report.

f) Drum size – When set, this will allow the unit to calculate the amount of chemical left within the drum. When 5% of the volume is left the unit will alarm to tell the user that the chemical is running low.

g) Custom name - The chemical can be given a custom name (up to 10 characters)

h) Calibration - See section 5.7

5.5.5. Edit Formulas

5.5.5.1 Enable/Disable – This allows the user to enable or disable a particular formula. If the formula is disabled, it will not show on the screen when the user scrolls through the formulas.

5.5.5.2 As detailed in section 4.5.1, in Normal mode a signal received on one of the 4 Input Pins will inject programmed amounts of product.

Beginning with Prewash signal, change the 'x' to a '✓' if that numbered product is required in that formula. This will automatically select the mls/kg amount as set within 'edit products'.

```
F01P Chemicals:  
1✓2x3x4x
```

Note: This is a display example from a 4 product unit

If a custom mls/kg amount is required within a specific formula the unit will allow this. In addition to the 'x' or 'tick' you can also select 's'.

```
F01P Chemicals:  
1s2x3x4x
```

When the select button is pressed in order to move to the right, if an 's' has been selected an additional screen is shown. This will allow the user to adjust the mls/kg amount.

```
F01P:C1 mls/kg:  
10 ↓ ↑ Set
```

Repeat the process for the Mainwash, Spare and Final Rinse signal.

5.5.6 Edit Settings

5.5.6.1 Signal filter - This is where the signal filter time can be set. The signal is un-verified until it reaches the filter time at which point it becomes verified.

5.5.6.2 Default formula - After a wash cycle has ended the EvoClean will reset. The user can set the unit to revert to the following states:

1. A preferred formula selected from all enabled formulas.
2. 'Select at start' – The unit will not accept any trigger signals until a formula is selected.
3. 'Previous formula' – The unit will stay on the previous formula.

5.5.6.3 Allow user prime - This feature can be enabled or disabled as required. If enabled it will hide the relevant screen preventing the user from using this feature.

5.5.6.4 Change passcode - this allows the installer to change the passcode. A passcode of '0000' cannot be set but all others are available.

5.5.6.5 Set lockout

5.5.6.6 Product alarms - this feature can be enabled or disabled as required. If enabled it will hide the relevant screen preventing the user from using this feature.

5.5.6.7 Flush Settings

a) Auto Start/Stop - this is an auto learn function and allows the user to press and hold a button to operate the flush. Once released the time is automatically updated.

b) Set manually - Allows the user to manually adjust the flush time in seconds

5.5.6.8 Firmware - This is where the firmware version can be shown. It will also show the firmware version of the remote select, if attached.

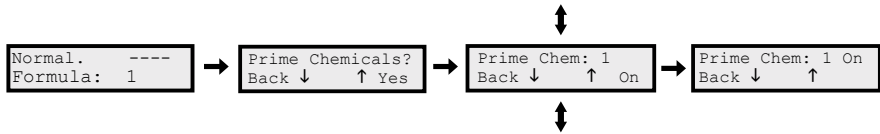
5.5.6.9 Select language – languages available

1. English
2. French
3. Italian
4. Spanish
5. German

5.5.7 Set Date/Time – This can be set here and is used to record when certain operations have taken place. The date and time is also used during the downloading of reports.

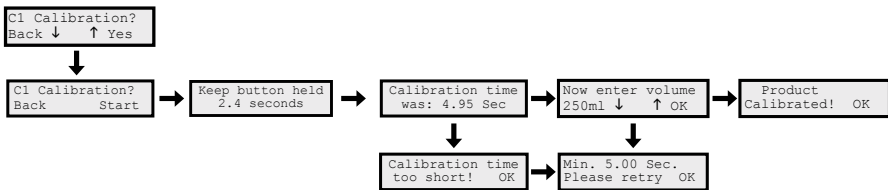
YYY-MM-DD HH:MM 2016-10-19 11:45

5.6. Setup & Programming Step 2: Priming



- 5.6.1. Once the unit is sited, the pickup tubes are installed, the unit is now ready to be primed
- 5.6.2. Once you have navigated to the 'Prime Chem: X' screen the 'select' button is pressed (and held) whilst the chemical is drawn up the pickup tube. To finish, release the button.

5.7. Setup & Programming Step 3: Calibration



- 5.7.1. To enable the EvoClean to accurately inject the correct amount of chemical it requires calibrating. This is carried out for all chemicals being set up.
- 5.7.2. Drum size – When set, this will allow the unit to calculate the amount of chemical left within the drum. When 5% of the volume is left the unit will alarm to tell the user that the chemical is running low.
- 5.7.3. The unit is calibrated by the time taken to draw a minimum of 200ml of chemical. Once the chemical has been drawn the user then inputs the exact amount in ml. It is recommended that the optional calibration cylinder is used.
- 5.7.4. The chemical must be fully primed for the calibration to be valid.
- 5.7.5. Once you have navigated to the calibration screen it is then a case of pressing (and holding down) the 'select' button to activate the relevant solenoid. Once the chemical has been drawn the button is then released.
- 5.7.6. As long as the minimum time threshold has been passed the unit will say 'Product Calibrated', if the calibration time was too short then the unit will input the default minimum and the installer will have to recalibrate.

5.8. Alarm Function

Depletion:

- 5.8.1. Alarms are triggered when the estimated remaining liquid is less than 5% of full drum.
- 5.8.2. Two tone sounder and flashing LED indicate an Alarm condition. Sounder is silenced as soon as any key is pressed, the LED keeps flashing until the 'Alarm Reset' function is used to reset drum liquid back to its default full value. If LED still remains flashing there will be another chemical that is also low.
- 5.8.3. Setting the drum size for a particular chemical to zero will mean it is not monitored so will not trigger an alarm or show estimate of remaining volume.
- 5.8.4. Changing the drum size through the settings menu will always reset the volume estimate for that chemical back to full drum.
- 5.8.5. Changing the setting of 'Product Alarms' in the menu to 'Disabled' will discard all volume estimates. Changing it to 'Enabled' will reset all volume estimates to full drum values.
- 5.8.6. The 'Alarm Reset' menu shows the estimated volume remaining in the drum as well as offering the option to reset it to full again.
- 5.8.7. Volume estimates never hit zero. If the amount used should mean none is left (or technically a negative value), its set to 0.001L. In the background if it is set to zero this means it's not monitored (eg when drum size is zero).
- 5.8.8. In the 'Alarm Reset' menu, chemicals that have caused the alarm are shown with an asterisk (*) after the volume estimate.

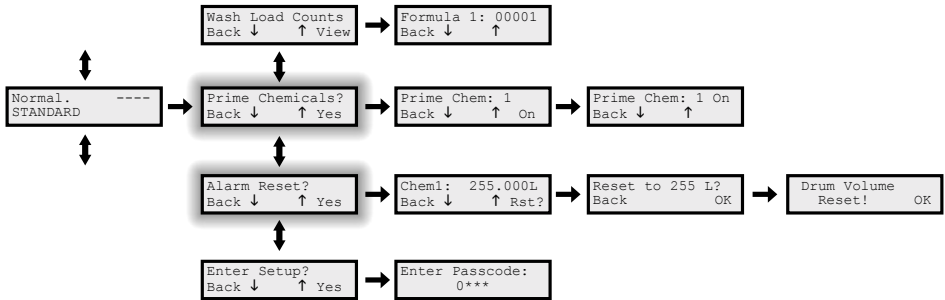
Sensor:

The EvoClean allows the addition of an external sensor. This should be a micro-switch type in a NO (normally open) state when sufficient chemical is present.

5.9. Formula Editor

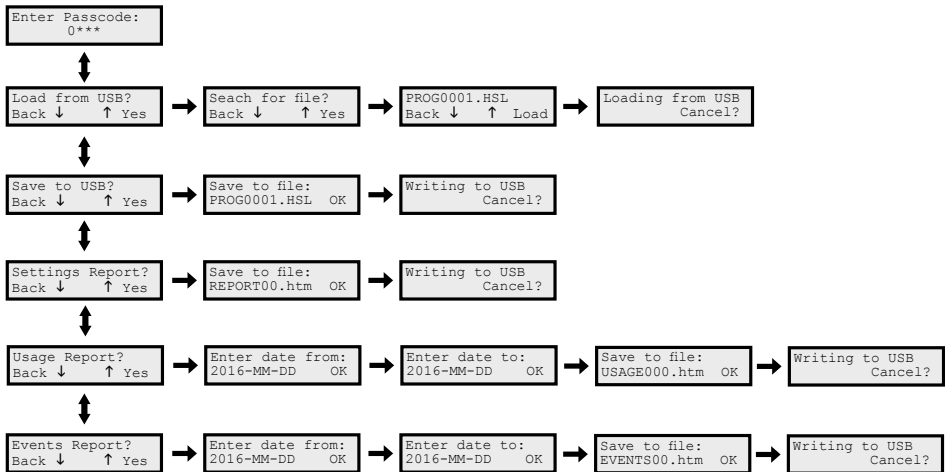
- 5.9.1. To aid programming of the unit a PC application can be downloaded from the Hydro Systems Europe website (www.hydrossystemseurope.com)
- 5.9.2. This will allow the installer to produce and edit programs remotely that can then be installed on the EvoClean using a USB storage device.

Menu Structure - Home Screen

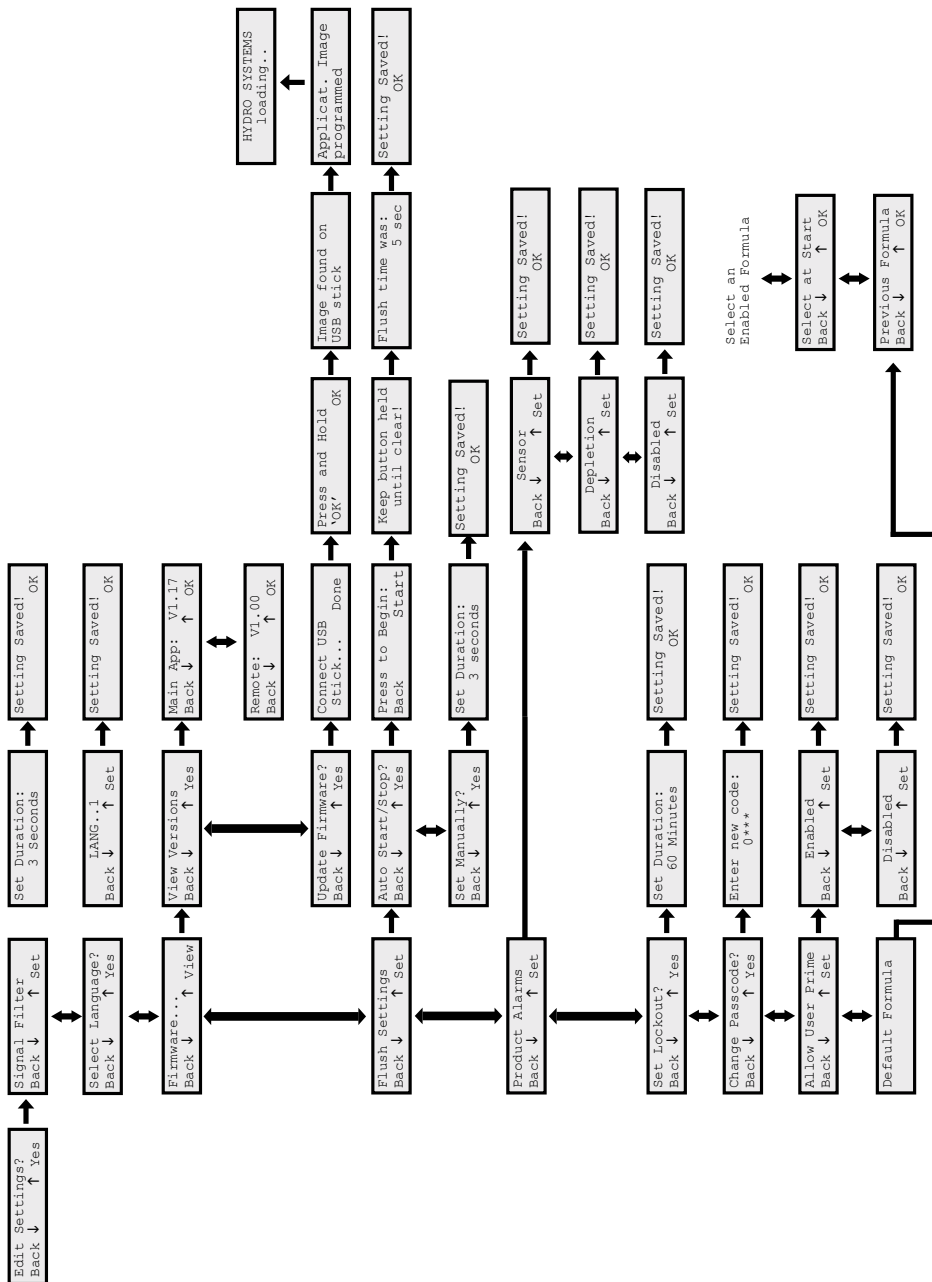


Note: These screens are not shown if disabled

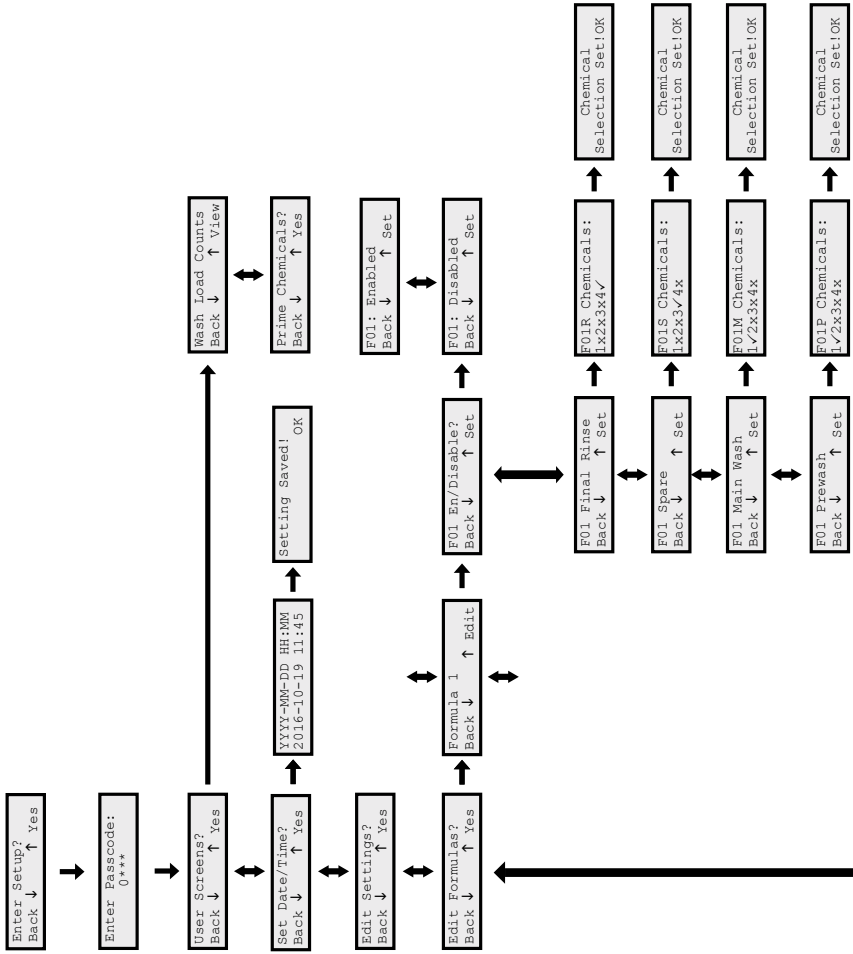
USB Insert Memory Stick

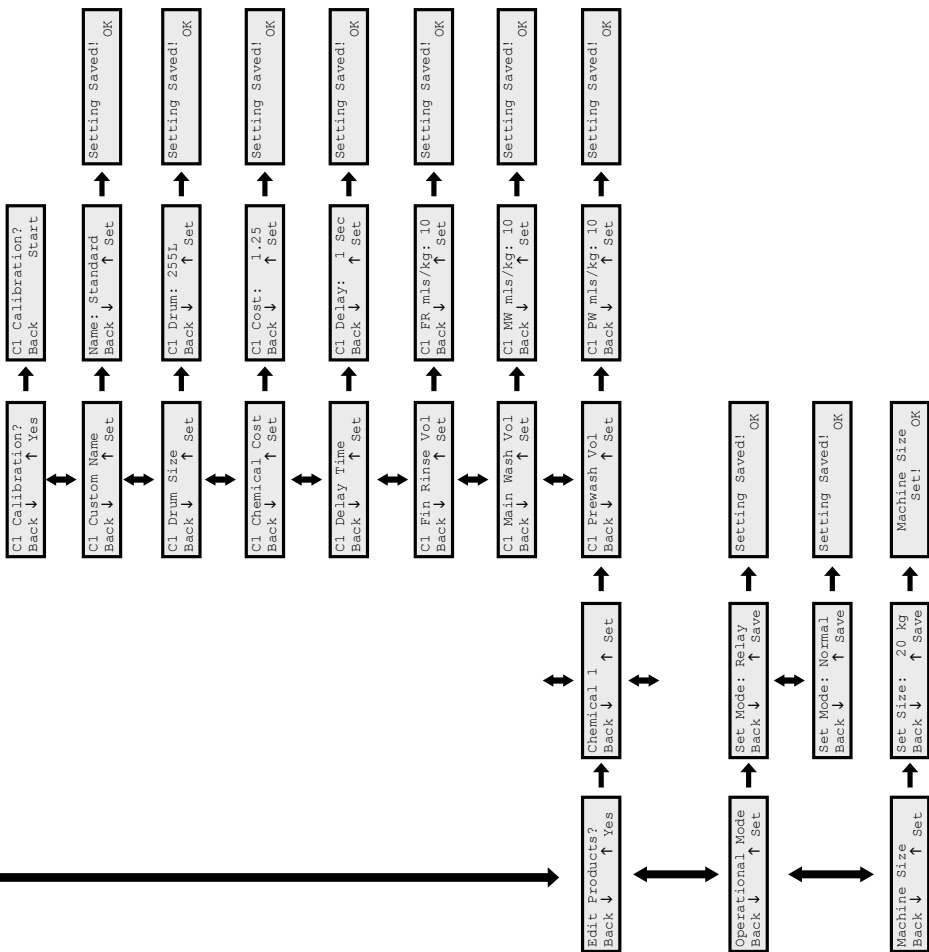


Menu Structure - Settings Screen



Menu Structure - Setup Screen





6. Maintenance



CAUTION

Before any maintenance, isolate the incoming power source and disconnect

6.1. Maintenance - Legal Requirements

- 6.1.1.** If the power supply cord is damaged, it must be replaced by the manufacturer, its service agent or similarly qualified persons in order to avoid a hazard.
- 6.1.2.** New hose-sets supplied with the appliance are to be used and that old hose-sets should not be reused.

6.2. Maintenance - Advised

- 6.2.1.** Unit frontage cleaned with a dry cloth (can be done without disconnection).
- 6.2.2.** Clean / Replace chemical pickup hoses.
- 6.2.3.** Clean / Replace inlet strainer.
- 6.2.4.** Clean / Replace outlet hose to machine.
- 6.2.5.** Clean / Replace venturis as required.

7. Specifications

UNIT			
Voltage / Frequency / Current		115v-230vAC / 50-60Hz / 0.085 – 0.158A	
Water Pressure (Min/Max)		Min.	Max.
		0.18 mPa (1.5 Bar / 26.1 PSI)	0.6 MPa (6 Bar / 87 PSI)
Electrical Class		Class II	
SYSTEM CABINET			
Cabinet Material		Front	ASA
4 Product		270	
6 Product		360	
8 Product		565	
Size (mm)		Height	Width
		220	162
		220	162
		220	162
IP RATING		IP22	

8. Troubleshooting



CAUTION

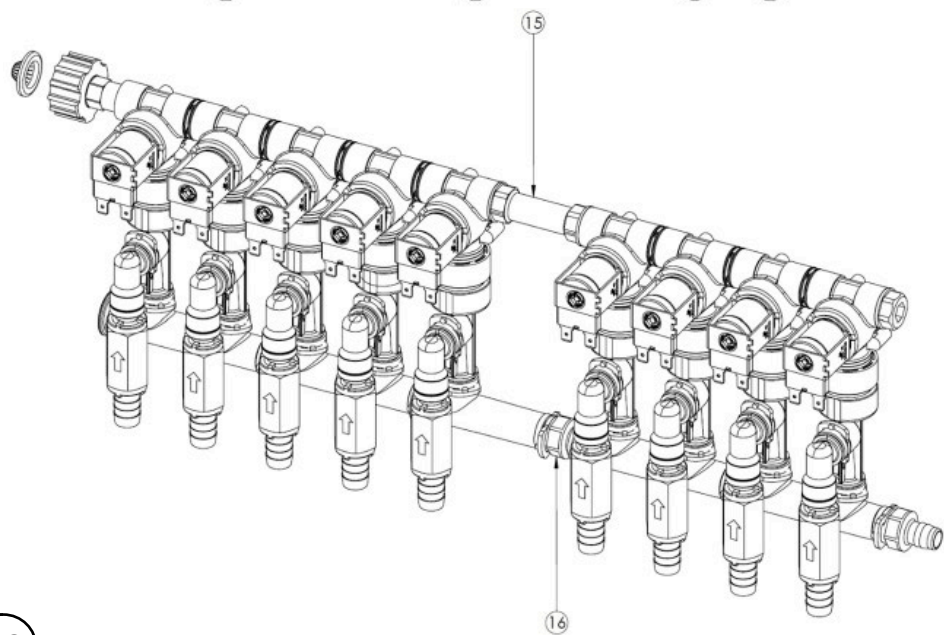
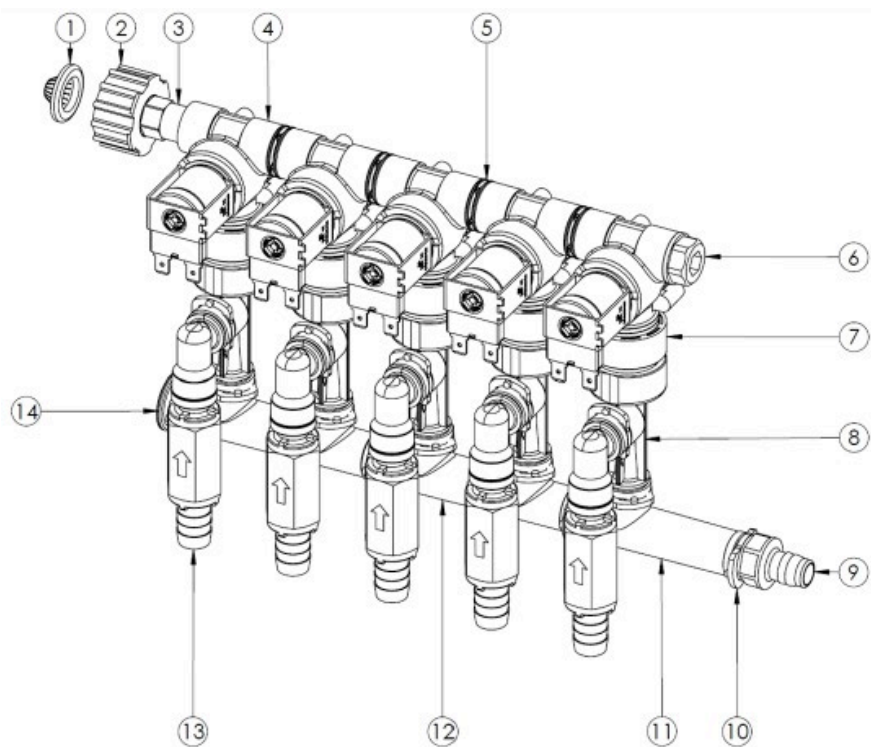
**Before any fault finding/troubleshooting,
isolate the incoming power source and disconnect**

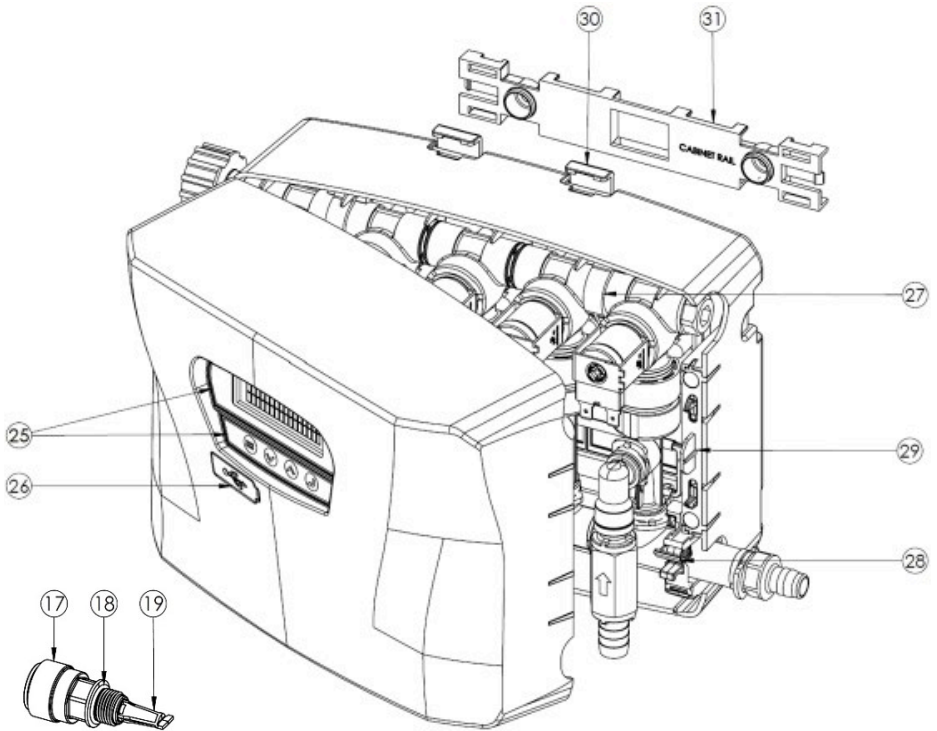
Issues listed here are to be investigated and resolved by a competent engineer.

Any fault conditions not listed within this manual should not be attempted to be fixed/replaced without the advice of Hydro Systems Europe (Any unauthorised attempts to repair the unit will invalidate the warranty).

Issue	Potential Issue	Resolution
Unit will not draw chemical	Low Water pressure Pickup tube not in chemical Incorrect eductor for chemical Eductor blocked Solenoid valve faulty Blockage in chemical pickup	
Unit will not power up	No power to the unit Faulty PCB	Check power supply Check fuses
Solution dispensed is too weak/rich	Incorrect eductor Blockage in chemical pickup	

9. Unit Diagram & Replacement Parts





9.1. Replacement Parts

Components shown on the following page should only be replaced by a competent engineer.

Any components not listed within this section should not be attempted to be replaced without the advice of Hydro Systems Europe (Any unauthorised attempts to repair the unit will invalidate warranty)



CAUTION

Before any maintenance, isolate the incoming power source and disconnect

ITEM #	DESCRIPTION	PART #	NOTES
1	STAINER WASHER	238100	
2	SWIVEL COLLAR 3/4" BSP	10082835	INLET OPTION, 3/4" FEMALE BSP
3	SWIVEL STEM	10082801	
4	WATER VALVE, 24vDC	10095315	
5	VALVE NIPPLE	10075906	
6	END PLUG	10075926	
7	VALVE SPACER	10097806	
8	EDUCTOR, 2LPM	10097802	
	EDUCTOR, 4LPM	10097801	
9	HOSE BARB	10095313	
10	EVOCLEAN CLIP, 10 PACK	10095123	
11	SINGLE PORT MANIFOLD	10095304	
12	DOUBLE PORT MANIFOLD	10095309	
13	CHECK VALVE, ALFAS, WITH ELBOW	10098124	
	CHECK VALVE, EPDM, WITH ELBOW	10098125	
14	MANIFOLD END PLUG	10095305	
15	PIPE NIPPLE	10075904	
16	MANIFOLD JOINER	10098140	
17	15MM PUSHFIT BODY	90094370	
18	PUSHFIT O-RING	10096188	INLET OPTION, 15MM PUSHFIT
19	PUSHFIT STRAINER	10094764	
20	EPDM WASHER, 10 PACK	10098126	NOT SHOWN, USED IN ITEM 7
21	EPDM O-RING, 10 PACK	10098127	NOT SHOWN, USED ON ITEMS 4,5,14
22	AFLAS O-RING, 10 PACK	10098128	NOT SHOWN, USED ON ITEMS 7,8,10,11,13,15
23	PTFE WASHER. 10 PACK	10098134	NOT SHOWN, USED ON ITEM 6
24	LOCK KEY	10097834	NOT SHOWN, GOES IN ITEM 6
25	MAIN UNIT FRONT LABEL PACK	10098135	NOT SHOWN
26	USB COVER	10097831	
27	TOP MANIFOLD CLIP ASSEMBLY (x2)	10098136	
28	BOTTOM MANIFOLD CLIPS (x3)	10098137	
29	LOCK ASSEMBLY	10098138	
30	UNIT TO WALL CLIPS	10098139	
31	WALL BRACKET	10094361	

9.2. Accessory Parts

ITEM #	DESCRIPTION	PART #	NOTES
A	REMOTE FORMULA SELECT	10097825	
B	CHEMICAL PICKUP PVC HOSE 1.8M (6')		
C			
D			
E			
F			
G			

10. Decommissioning & Disposal

- 10.1. All contents (including liquids and chemicals) have been removed and disposed of appropriately
- 10.2. Any hazard warning signs have been removed from surfaces and internally, or totally defaced
- 10.3. Unit has been completely and adequately cleaned and disinfected
- 10.4. "Safe for disposal" sign / note appended to each piece of listed equipment
- 10.5. Equipment has been left in a condition such that it is safe for lay personnel or contractor to remove it without need for precautions against exposure to any chemical, biological, radioactive or other agents



CAUTION

Before decommissioning the unit, isolate the incoming power source and disconnect

11. Safety

- 11.1.** Unit is not to be used with any ATEX chemicals.
- 11.2.** Unit is not to be used with chemicals that may become airborne causing a health risk.
- 11.3.** Unit is not to be used with chemicals outside the temperature of 0-60°C.
- 11.4.** Please use this equipment carefully and observe all warnings and cautions.
- 11.5.** Wear PPE when dispensing chemicals or other materials or when working in the vicinity of all chemicals, filling or emptying equipment.



- 11.6.** Always observe safety and handling instructions of the chemical manufacturers.
- 11.7.** Always direct discharge away from you or other persons or into approved containers.
- 11.8.** Always dispense cleaners and chemicals in accordance with manufacturer's instructions.
- 11.9.** Always exercise caution when maintaining your equipment.
- 11.10.** Always re-assemble equipment according to instruction procedures. Be sure all components are firmly screwed or latched into position.
- 11.11.** Keep equipment clean to maintain proper operation.
- 11.12.** You must follow all precautions as advised on the product safety data sheet.
- 11.13.** Before any maintenance, isolate the unit from all power supplies.
- 11.14.** This appliance is not intended for use by persons (including children) with reduced physical, sensory or mental capabilities, or lack of experience and knowledge, unless they have been given supervision or instruction concerning use of the appliance by a person responsible for their safety.

12. WEEE - Waste Electrical and Electronic Equipment

WEEE Regulations apply to companies who Manufacture & Distribute electrical or electronic equipment

WEEE Classification – 10. Automatic dispensers.

The WEEE Regulations apply to importers, producers, retailers and users of EEE, and to businesses that treat or recover WEEE. The EvoClean unit is a product placed onto market POST 13.08.05 , therefore called 'future WEEE'.

As a producer Hydro Systems Europe have the option to take responsibility for the EEE placed on the market. If Hydro Systems Europe chooses to receive WEEE they must make sure that it is disposed of in an environmentally sound way, including the treatment, reuse, recovery and recycling of the components where appropriate.

Responsibility as a producer of EEE

Hydro Systems Europe as a producer of EEE are registered with a producer compliance scheme who register them with the relevant environmental regulator. Through the regulator they become part of an approved producer compliance scheme (PCS).The PCS supply a unique and permanent producer registration number.

If disposal is outsourced it (the product) must be taken to an appropriately licensed site (approved authorised treatment facility - AATF) where it can be treated safely.

The environmental impacts of the substances in EEE and waste electrical and electronic equipment (WEEE)

The main environmental concerns in the EEE sector stem from soil and water contamination, resource depletion, energy use and waste.

At the production stage, obtaining raw material for EEE production consumes a large amount of energy, especially the process of extracting resources, which can also lead to degradation of the surrounding environment. For instance, when raw material is shipped to a plant, it goes through a complex, high energy-consuming process as it is converted into a finished product. Moreover, as demand for fuel and raw materials increases with the increase in exports, the environmental impact of these factors is also likely to increase.

The reasons for separating WEEE from other waste

Failing to separate waste properly can be very expensive as the majority of discarded products are shredded into small pieces of material and re-sold as raw material – much of which ends up in the Far East and goes back into manufacturing. If the hazardous components were not separated first the entire batch could be contaminated. This significantly increases the risk of environmental damage and could lead to legal action under hazardous waste regulations.

The meaning of the crossed out wheeled bin symbol

The crossed out wheeled bin symbol is not intended to indicate to you that WEEE is banned from being disposed of as general waste. Moreover, the intention behind the symbol is that, when coupled with information supplied by distributors as to the availability of recycling facilities, you will be reminded that these facilities exist.

How they can safely dispose of WEEE for proper treatment

When the product is at its end of life, either contact the Local Authority in charge of electrical disposal, or contact Hydro Systems Europe who will either take the item back from yourself or supply you with relevant information for a local WEEE treatment facility. If asked, Hydro Systems Europe must provide yourself business with:

- Contact information for the EEE producer within Hydro Systems Europe. The producer's compliance scheme is responsible for the end-of-life handling of EEE.
- Records that will help producers to supply their producer compliance scheme with accurate information, for example numbers of sales of EEE to non-household users.

As a distributor Hydro Systems Europe have no legal obligation to take back WEEE from business users

Notes



Hydro Systems Europe Ltd.
Unit 3 The Sterling Centre,
Eastern Road,
Bracknell,
Berkshire, RG12 2PW

Phone +44 (0)1344 488880
Fax +44 (0)1344 488879
Web hydrosystemseurope.com