



FlushManifold

Simplified laundry flushing system



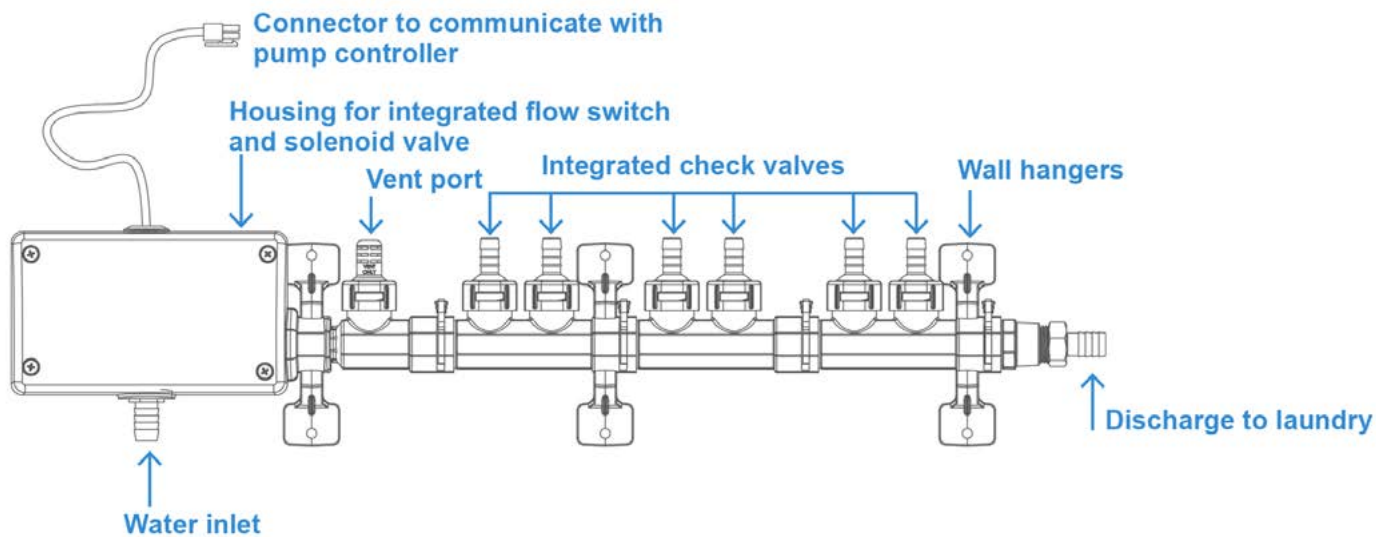
The Flush Manifold transfers liquid laundry products from the dispenser to the washer using water flow via a single discharge tube.

The dispenser pumps into the manifold via the check valves. The flush valve controls water flow through the manifold, which in turn transfers product to the washer.

The FM 700 series Flush Manifold is a single unit that includes the water valve and manifold all in one convenient assembly. This unit is designed to provide the easiest and most cost-effective means of flushing liquid laundry products when used with Hydro Systems Laundry Dispensing Systems.

Features & Benefits

- Built to transport liquid supplies for long distances
- Capably handles viscous products
- Automatically dilutes strong chemicals
- Corrosion resistant construction
- Includes mounting brackets
- Flow switch incorporated to boost safety



Model No.	Description	Part No.
FM-702	modular flush manifold 2 product	00-03603-02
FM-704	modular flush manifold 4 product	00-03603-04
FM-706	modular flush manifold 6 product	00-03603-06
FM-708	modular flush manifold 8 product	00-03603-08
FM-710	modular flush manifold 10 product (not shown)	00-03603-10
FM-700	modular flush manifold 2 product add-on	00-03603-10