

Flush Manifold

Modular flushing system for use with Hydro Dispensers

The Modular Hydro Flush Manifold is designed to provide the easiest and most cost effective means of flushing liquid laundry products when used with most series of Hydro dispensing system.

This flush manifold is a single unit that includes the water valve, manifold, and integrated flow switch all in one convenient assembly

The FM-700 Modular Flush Manifold aids in safe delivery of liquid laundry chemical products from the dispensing system to the washer using water flow (or flush) via a single discharge tube. The dispenser pumps chemical products into the manifold via integrated check valves that keep unwanted liquids from entering the chemical line and also keep unwanted chemical from dripping into the water flow.

The flush valve controls water flow through the manifold, which in turn transfers product to the washer. The flush valve may be controlled by our Total Eclipse Controller.

This expandable manifold consists of molded two-product modules that easily snap together, and can be rotated to accommodate a variety of installation configurations.

The water valve is a proven Hydro design that has provided years of industry service.

A safety flow device is incorporated to ensure the chemical cannot be pumped into the manifold without water flowing.

The manifold incorporates Hydro's egap elastomer technology in place of traditional ball & spring check valves and has built-in backflow prevention.



- Easily expandable - two product add-on modules available separately.
- Longer system life - Flush Manifold accurately transports products over long distances, easing the strain upon, and prolonging the life of our peristaltic pump system.
- Increased safety - concentrated chemical flushed from lines between dispenser and washing machine with each use, limiting employee exposure to potentially hazardous substances.

often Used



fine dining



hotels
& lodging



healthcare
facilities



Correctional
facilities

Further Information

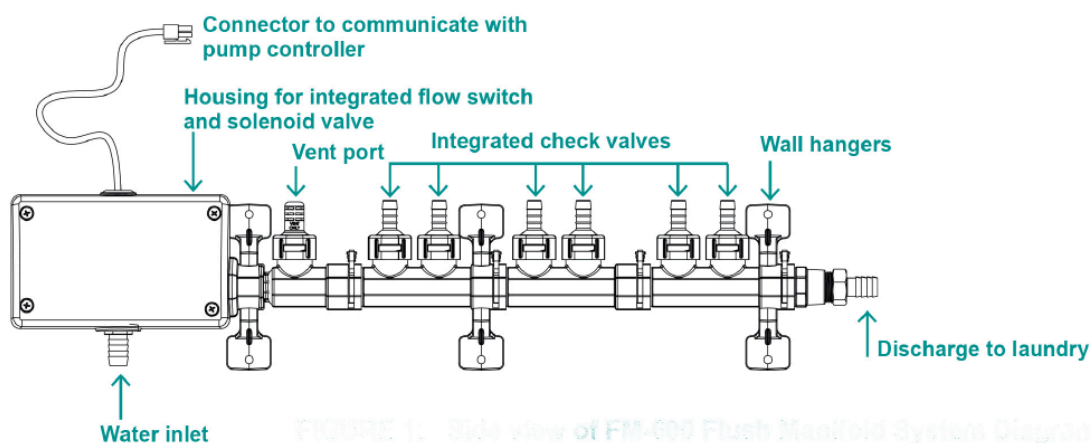


FIGURE 1. Side view of FM-600 Flush Manifold System Diagram

Model No.	Description	Part No.
FM-702	modular flush manifold 2 product	00-03603-02
FM-704	modular flush manifold 4 product	00-03603-04
FM-706	modular flush manifold 6 product	00-03603-06
FM-708	modular flush manifold 8 product	00-03603-08
FM-710	modular flush manifold 10 product (not shown)	00-03603-10
FM-700	modular flush manifold 2 product add-on	00-03603-10